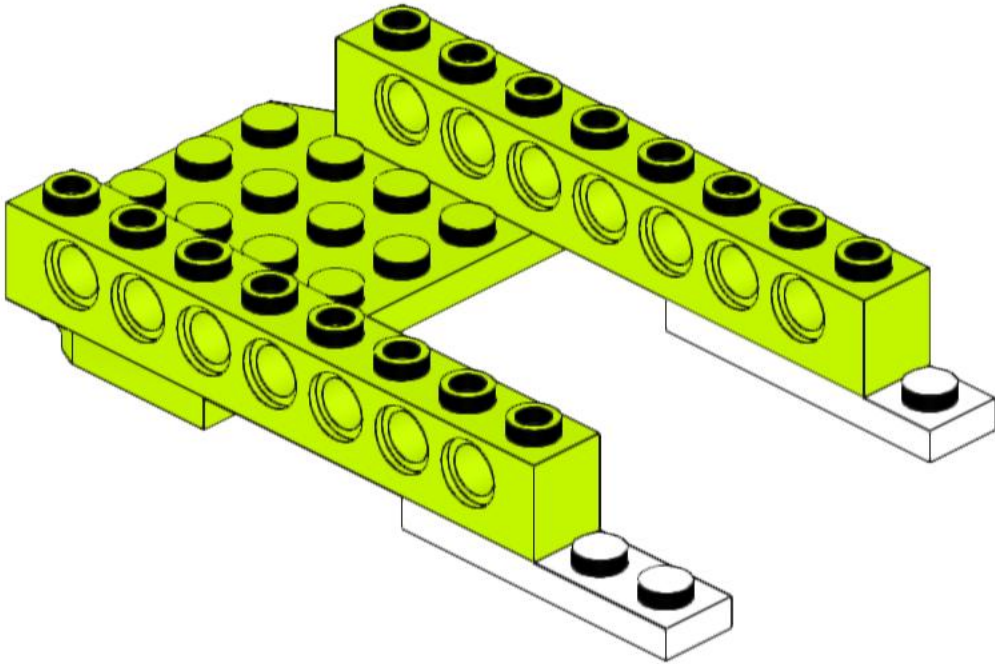
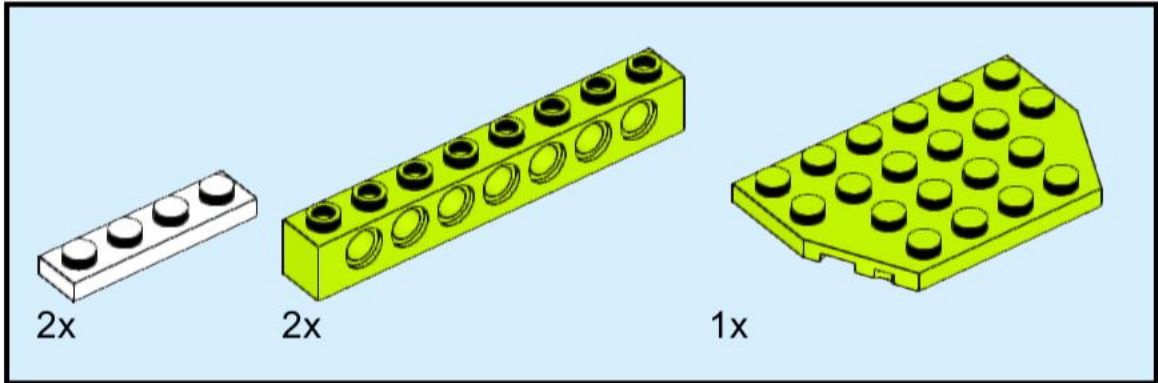


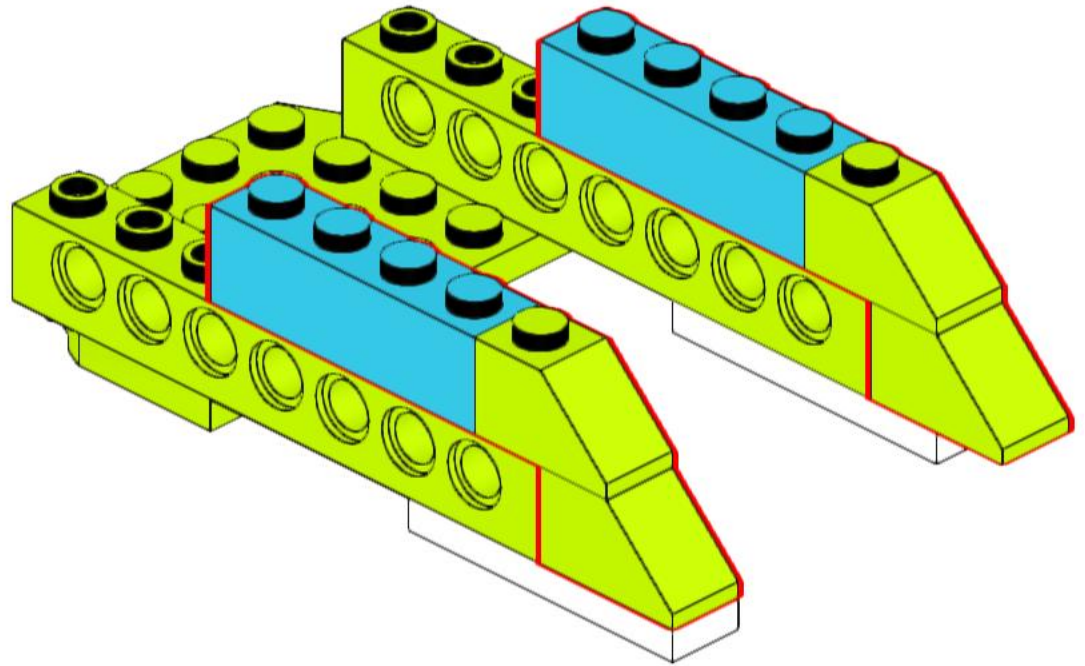
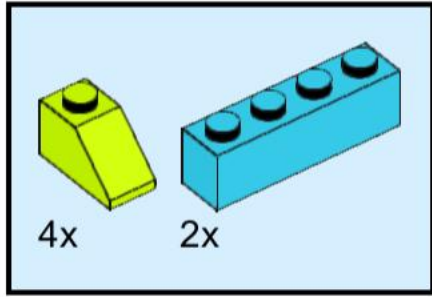


Robot sigue tu mano

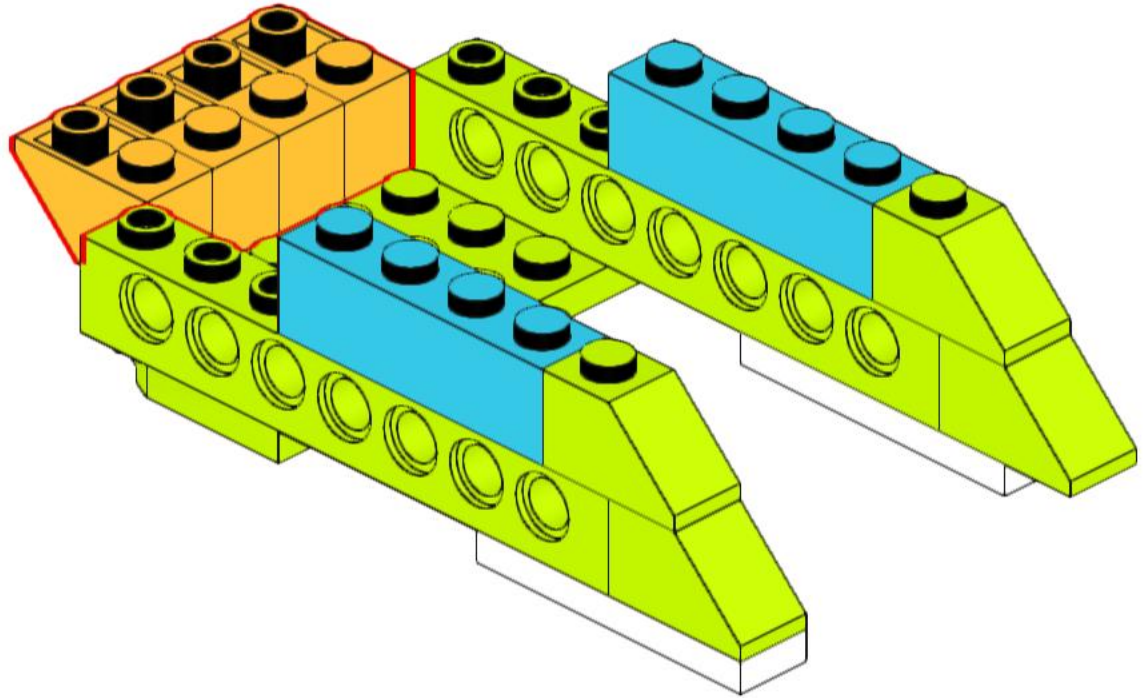
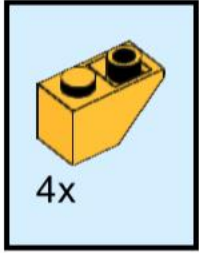
1



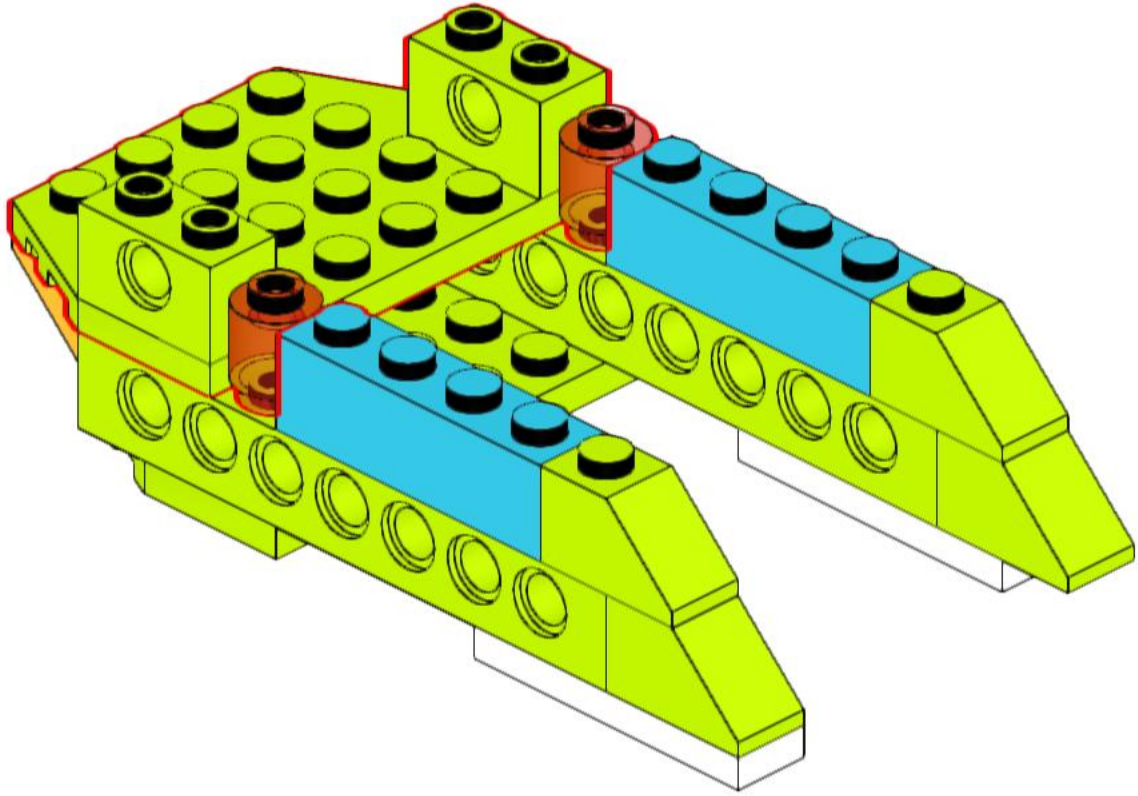
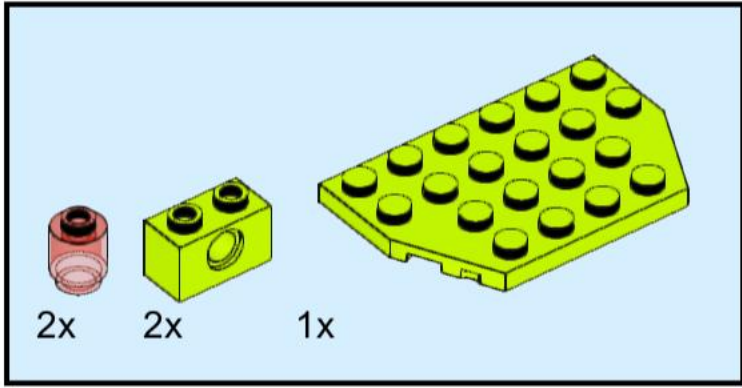
2



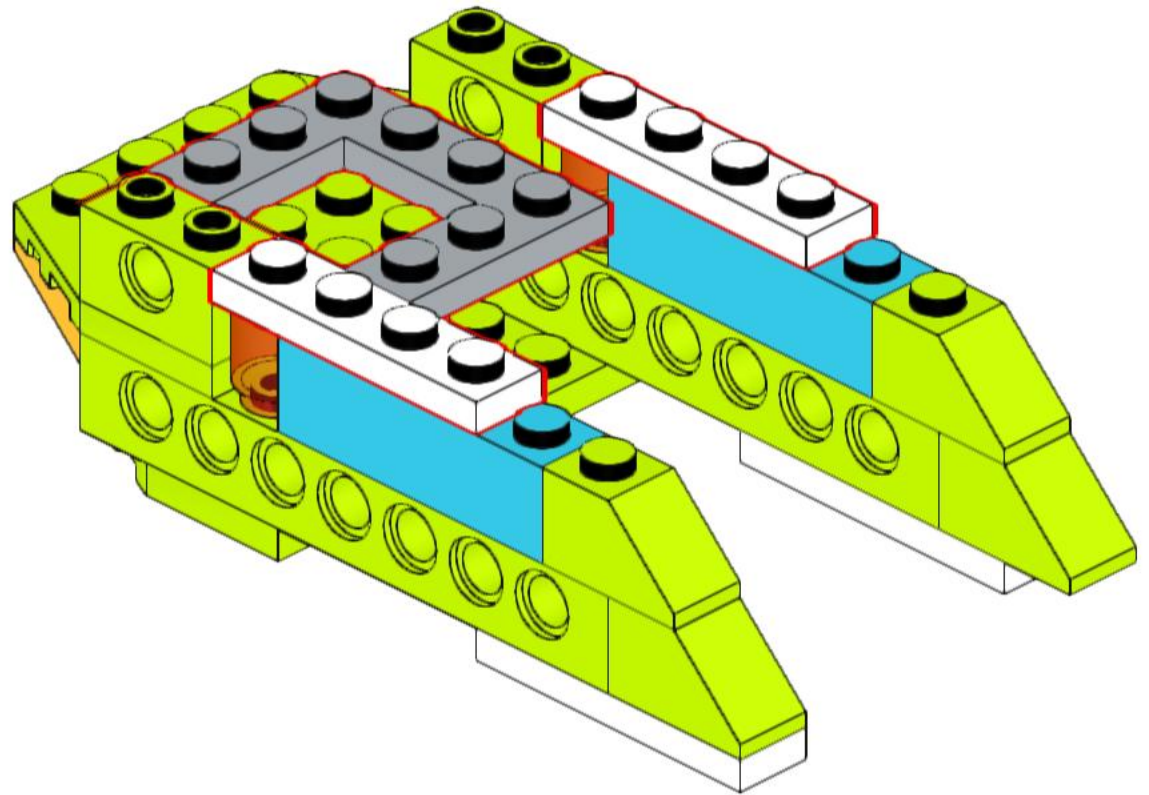
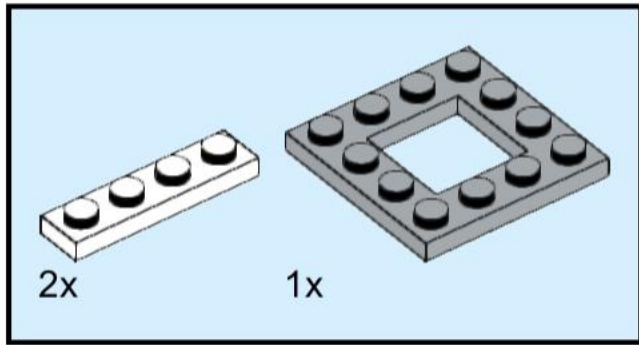
3



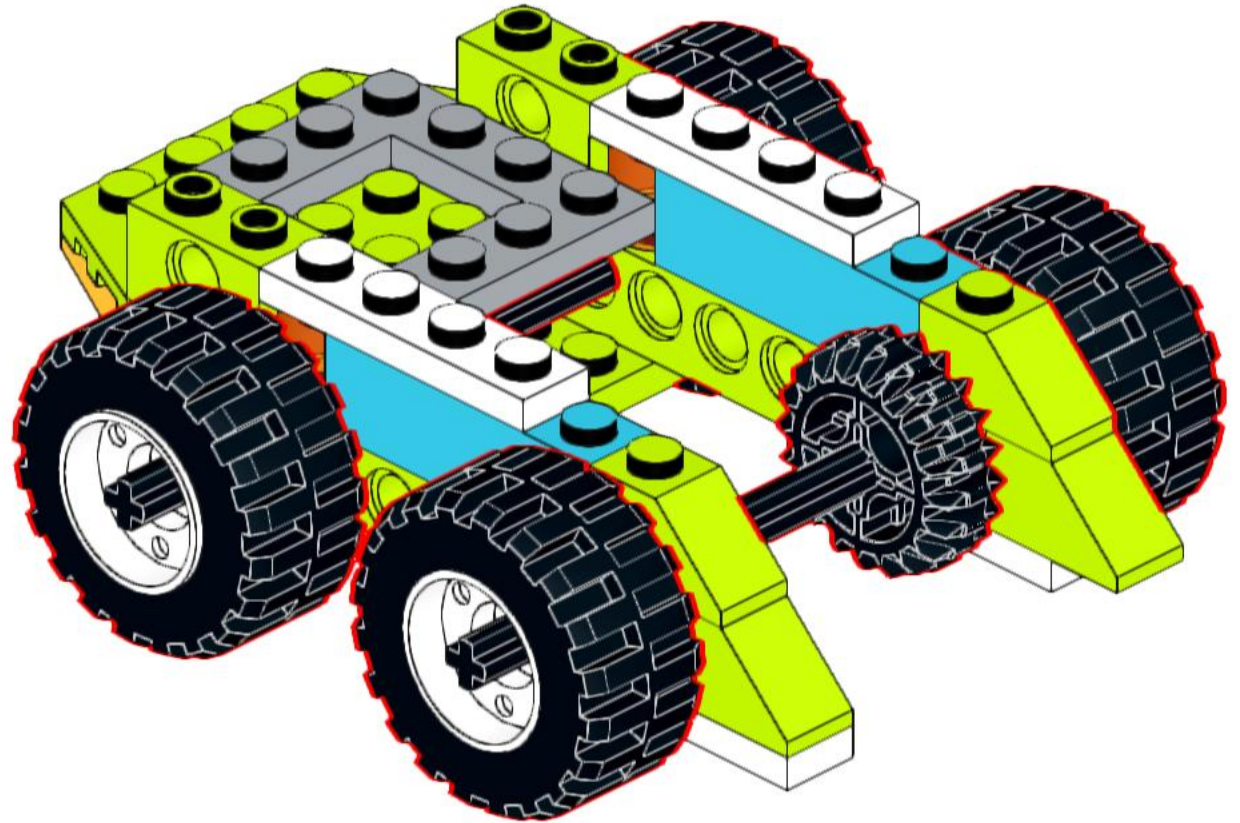
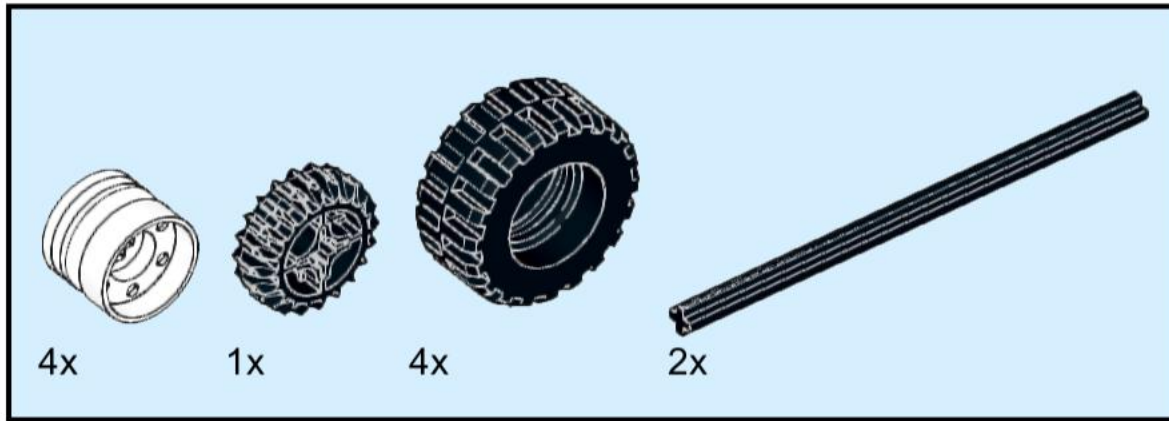
4



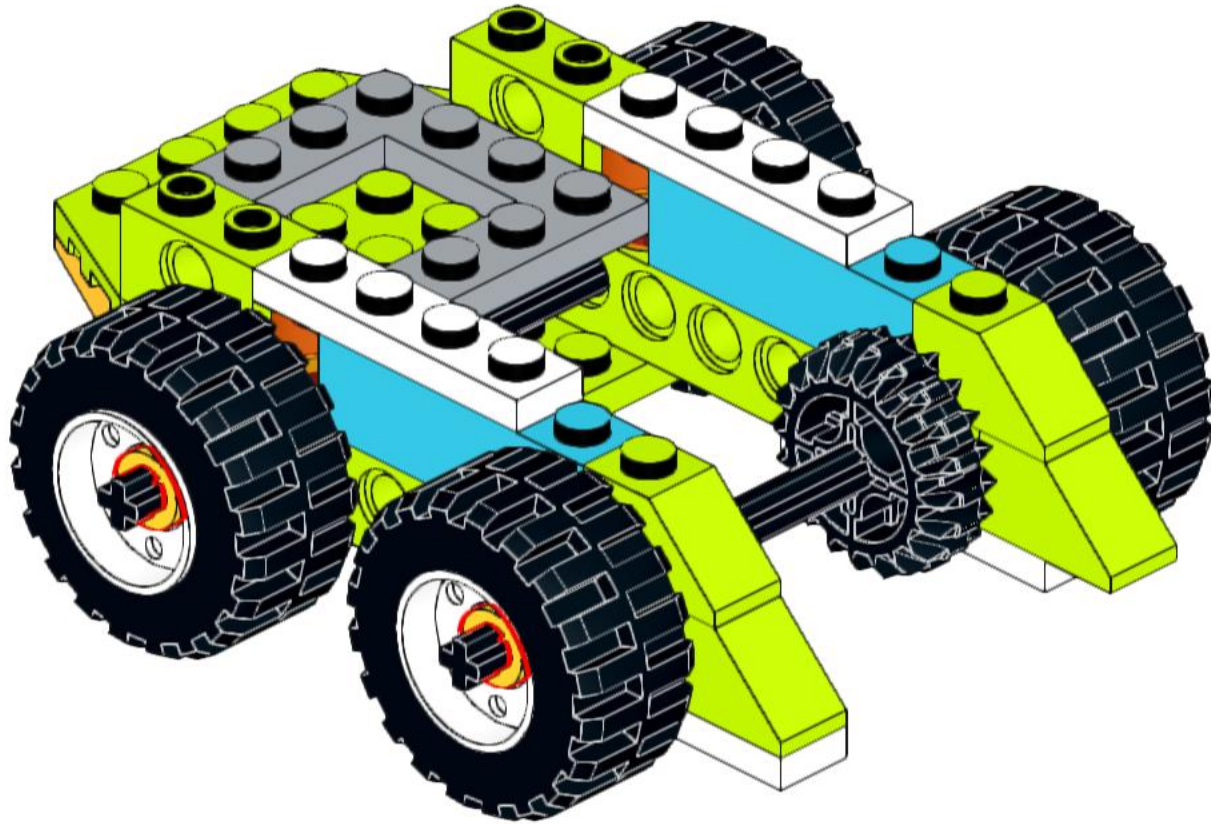
5



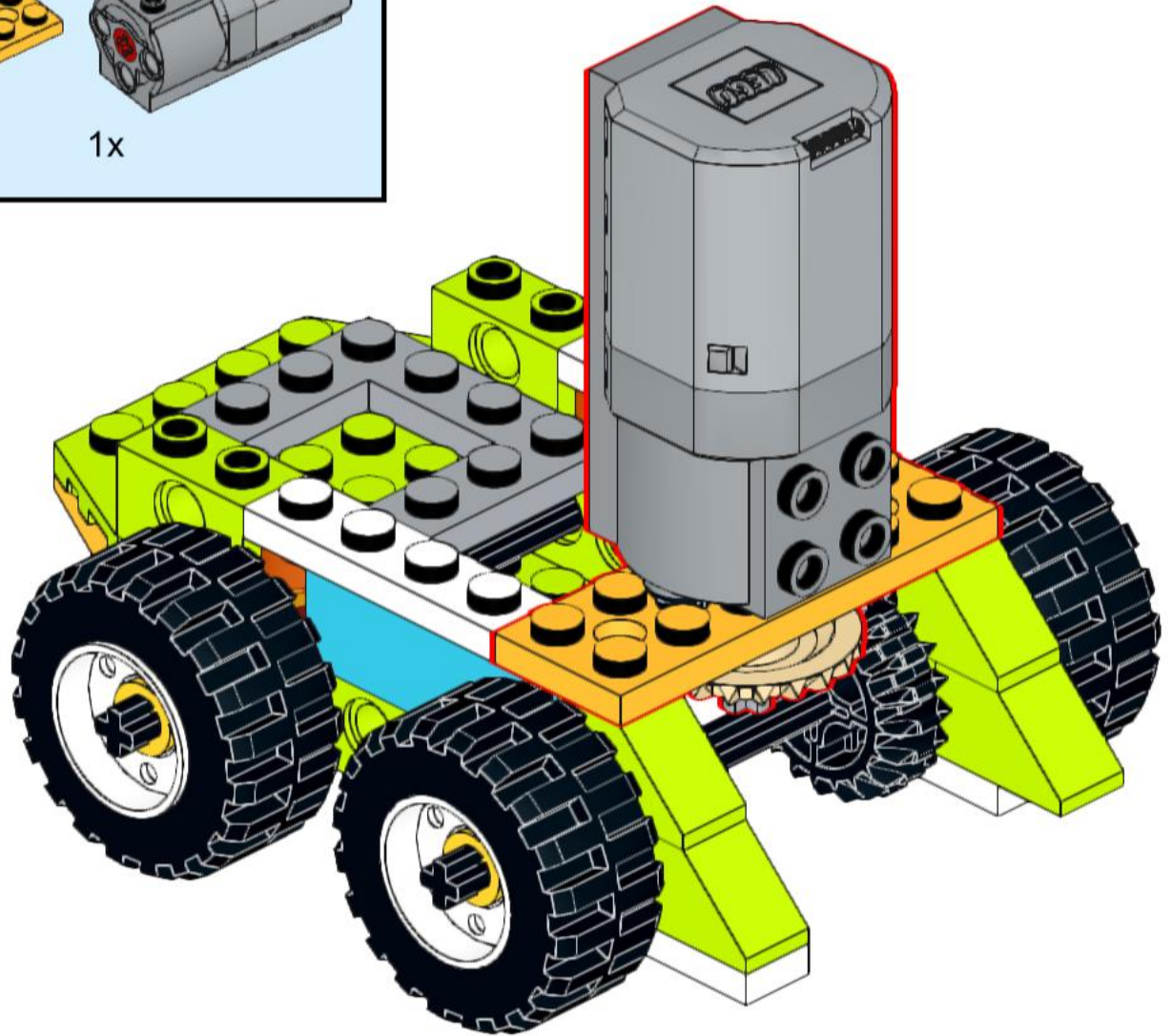
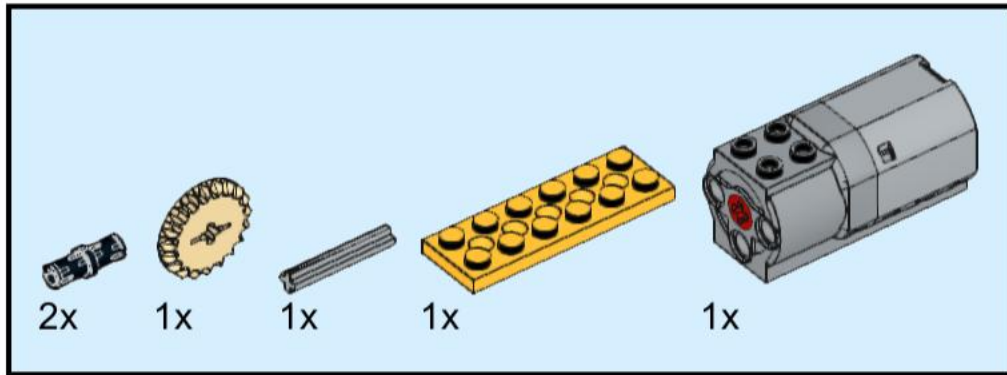
6



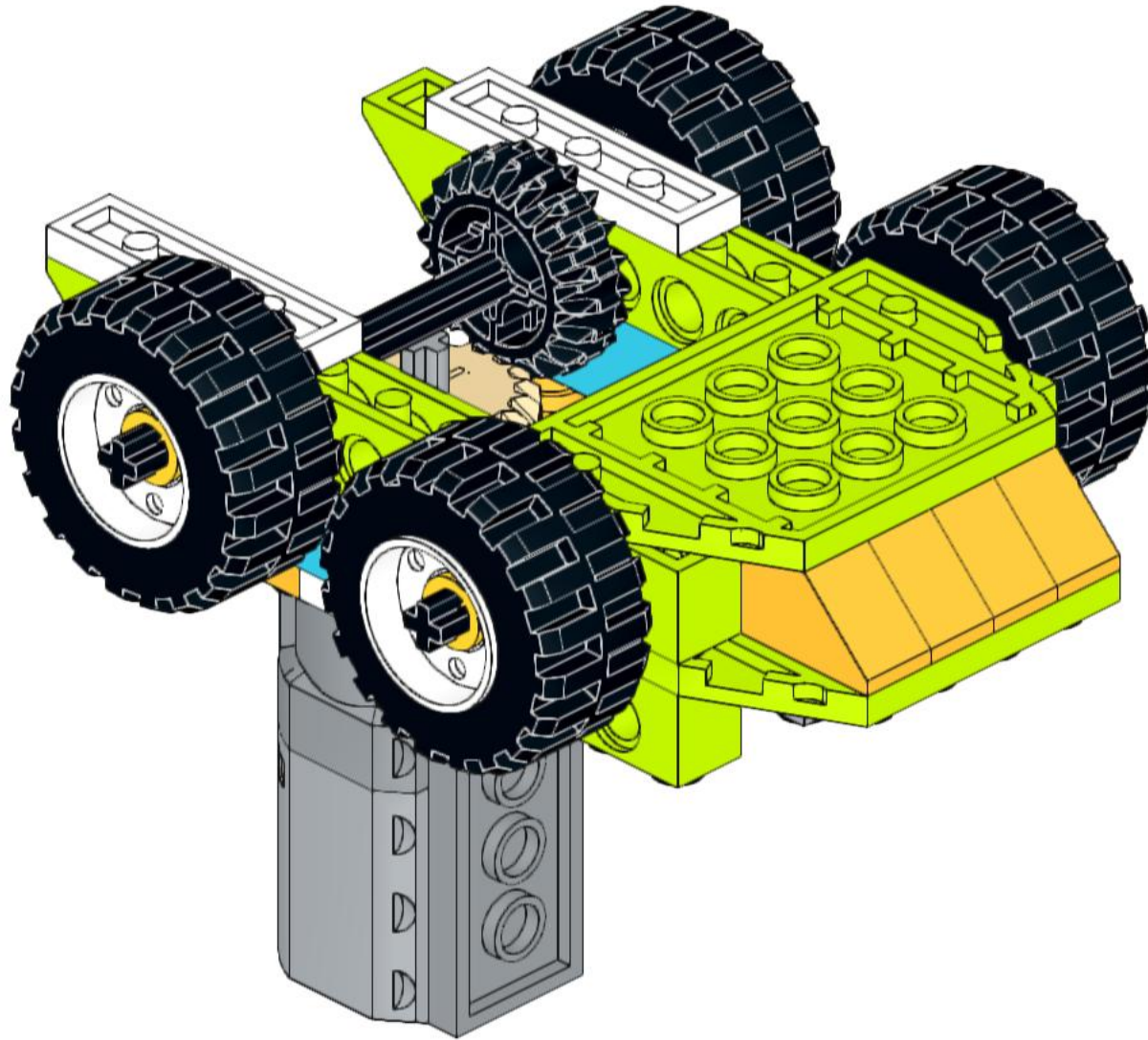
7



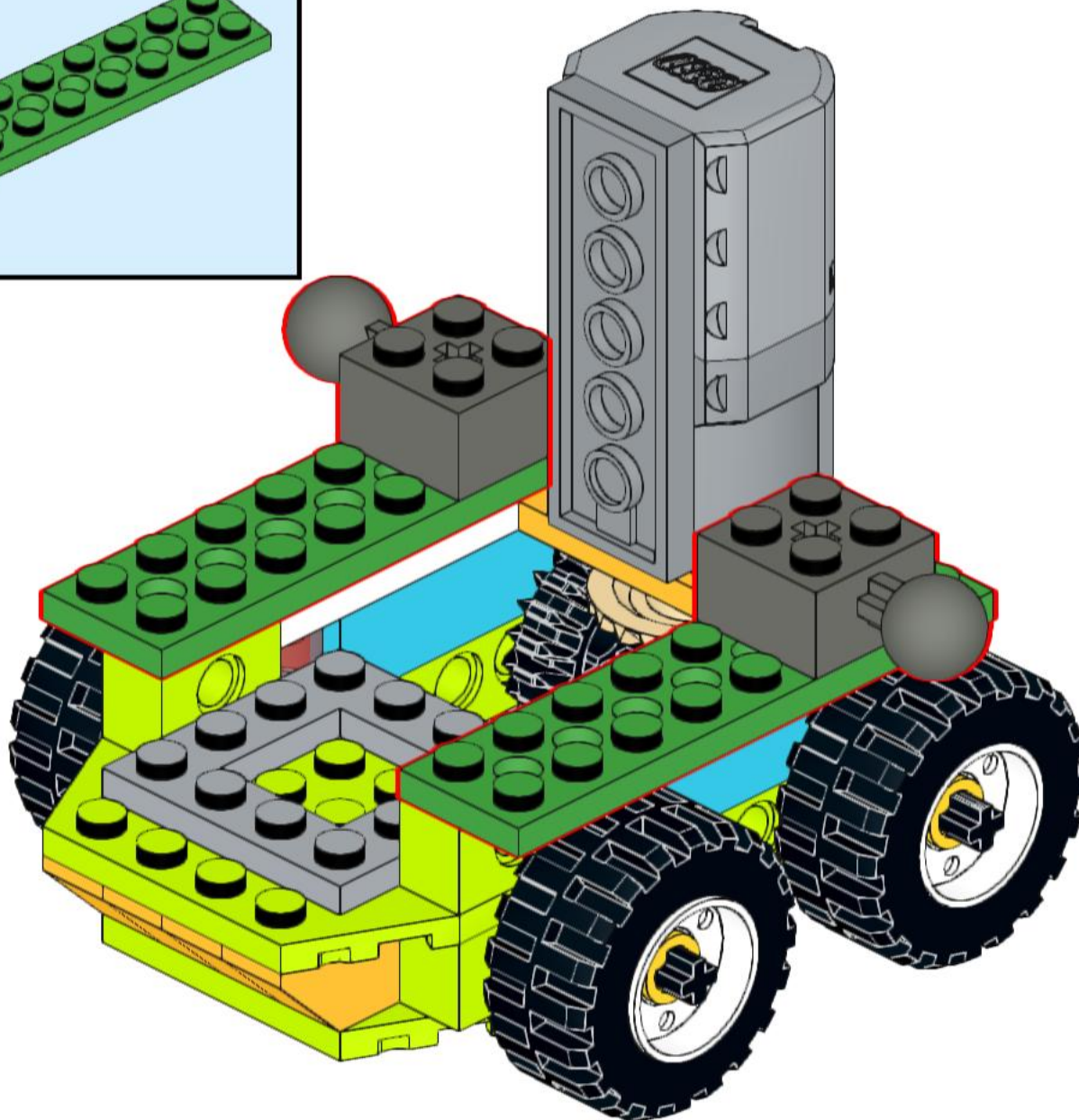
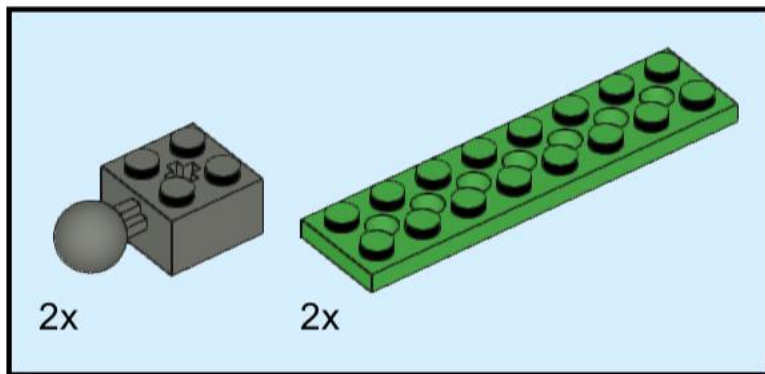
8



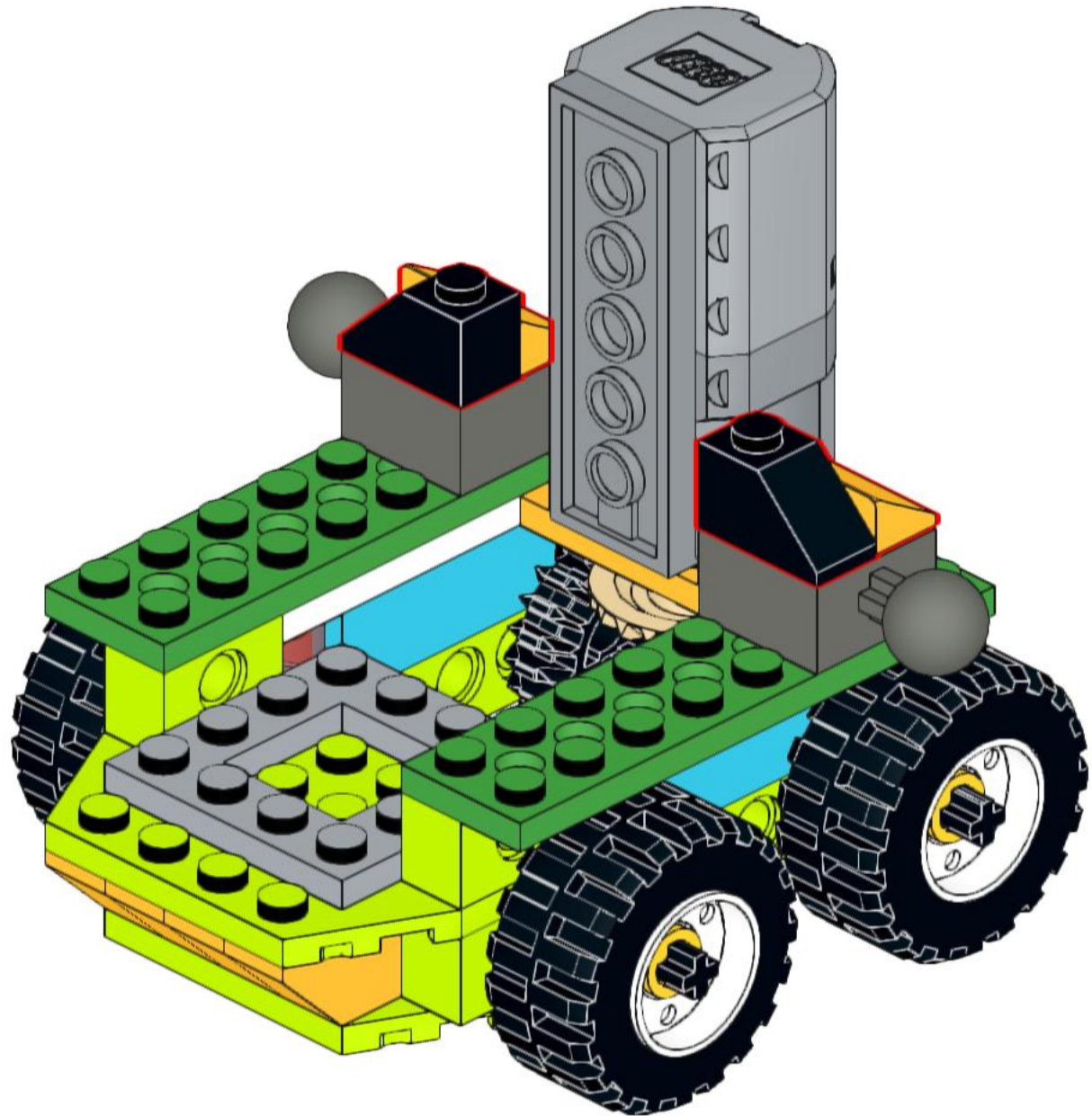
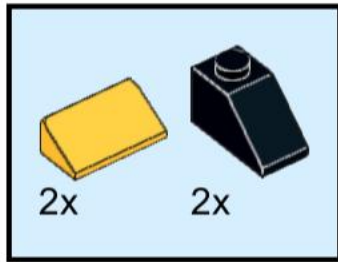
9



10



11

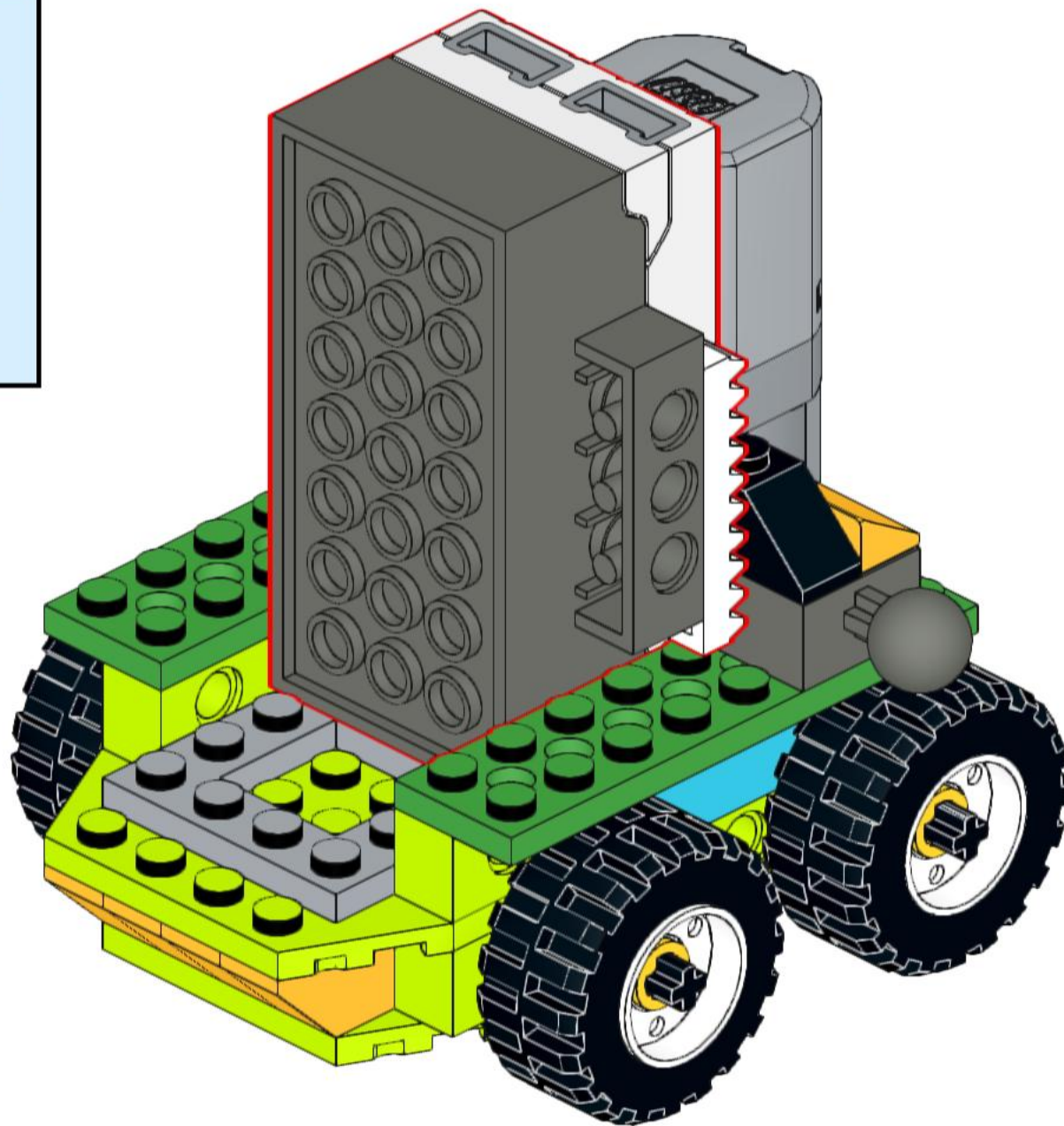
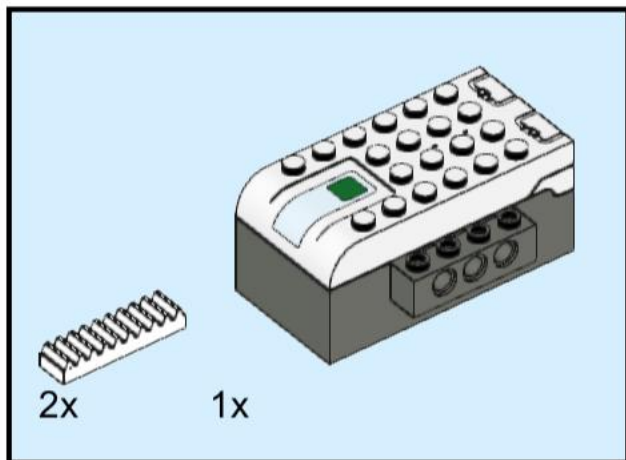




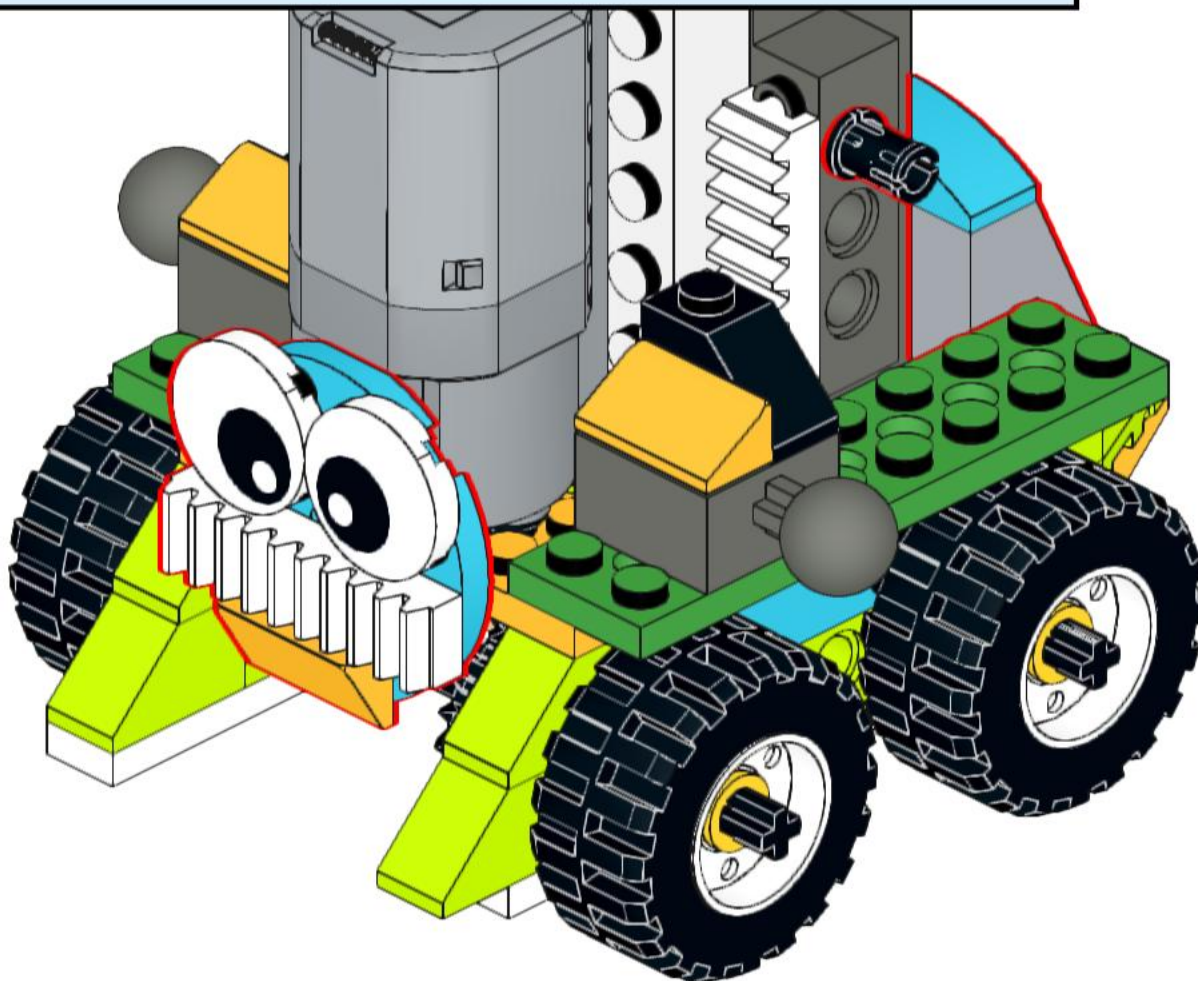
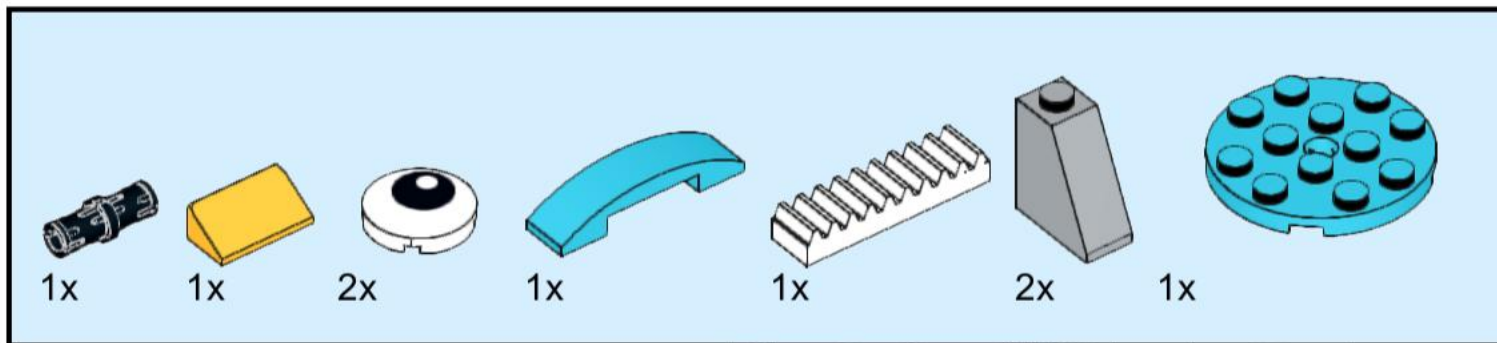
Antes de acoplar el Hub en nuestro robot, ejecuta el programa Lego weDo, abre un nuevo proyecto y conéctalo, ya que una vez colocado no tendrás acceso al botón de encendido.



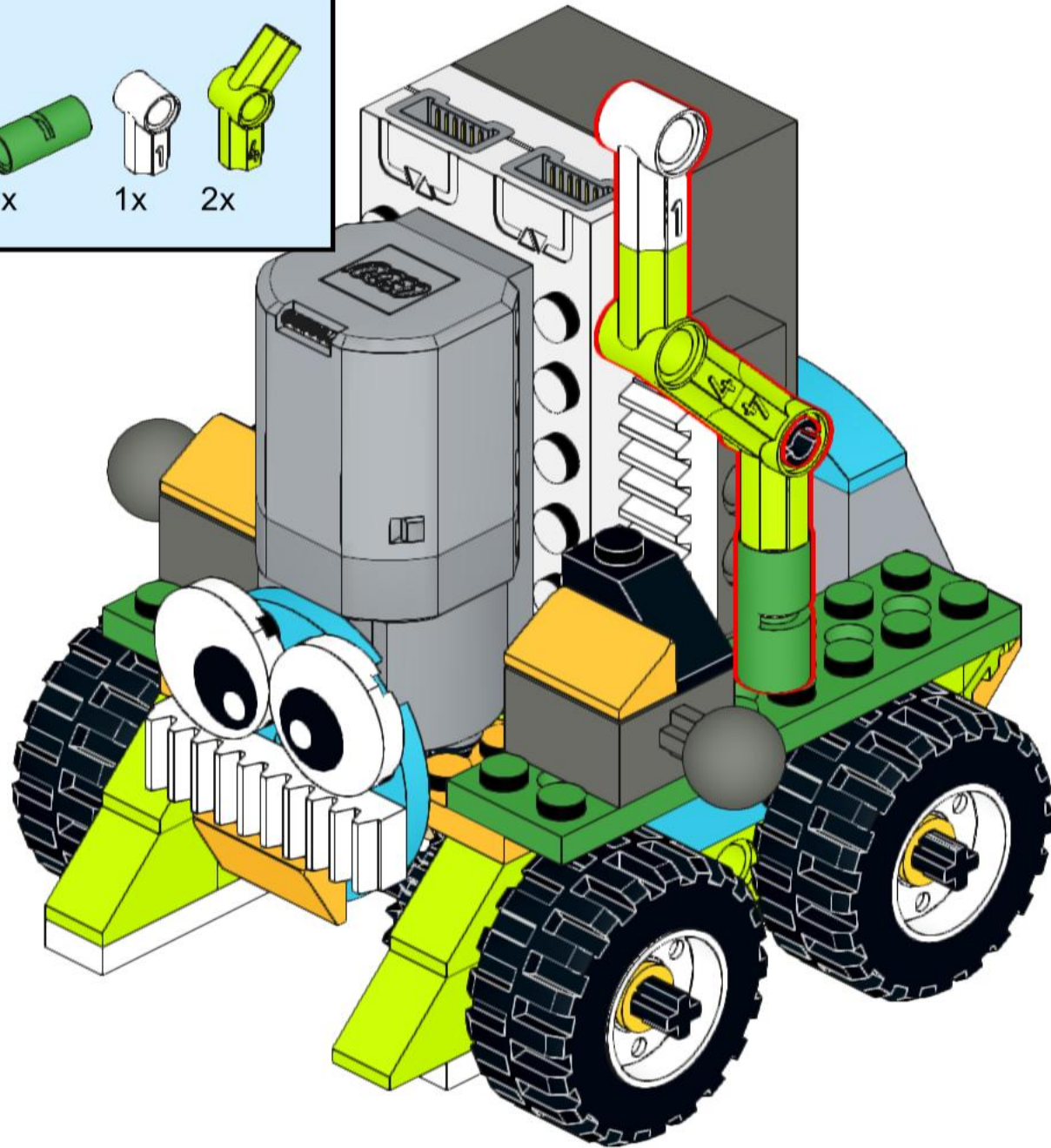
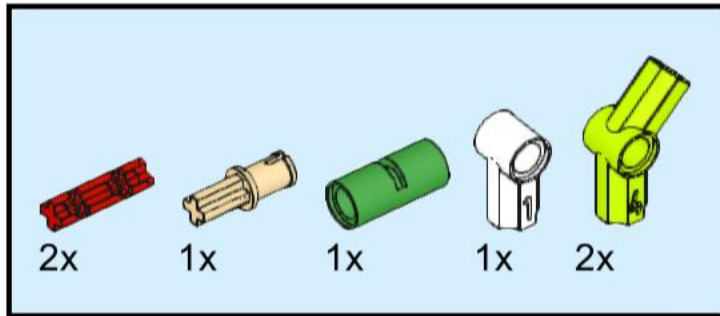
12



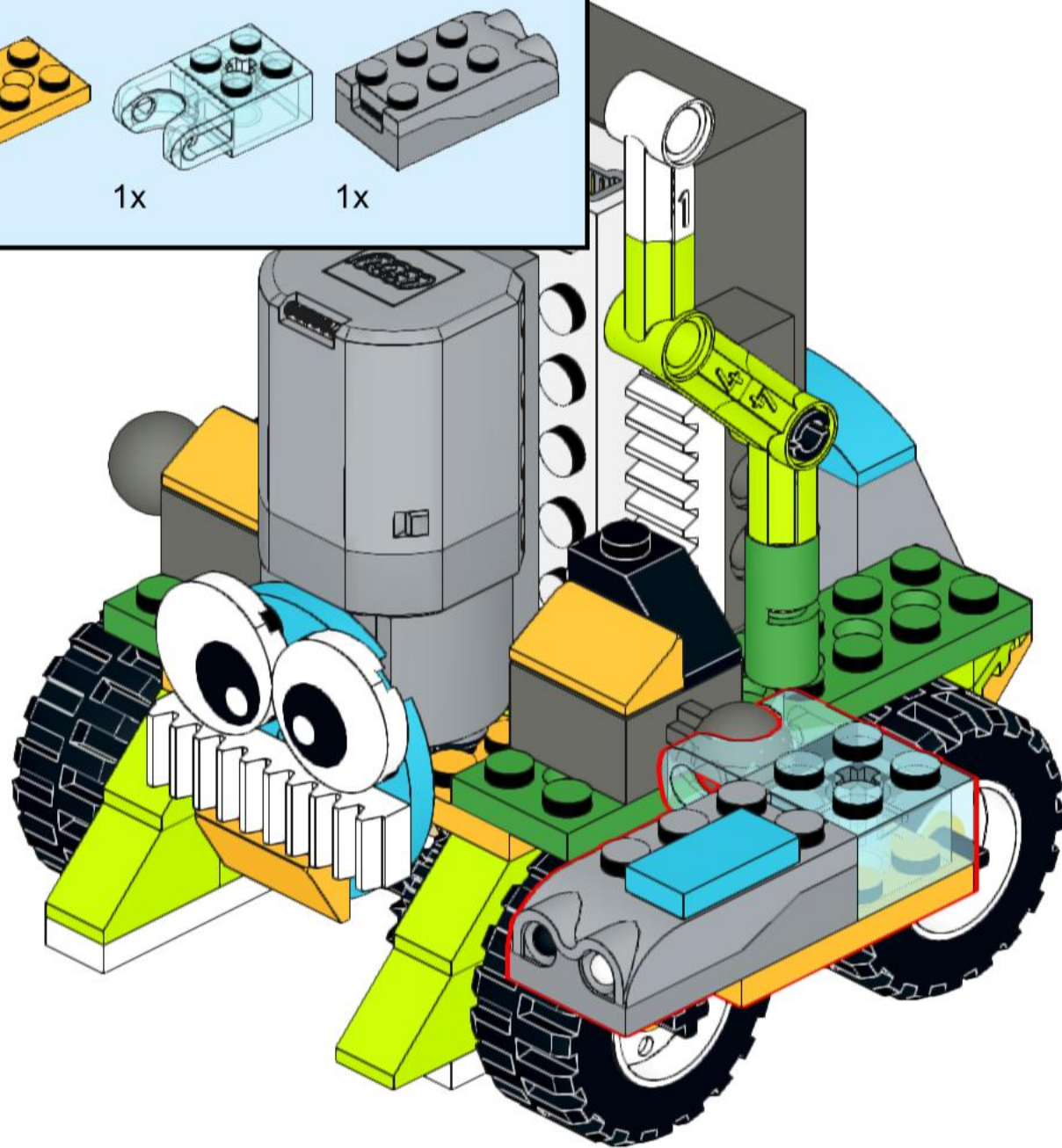
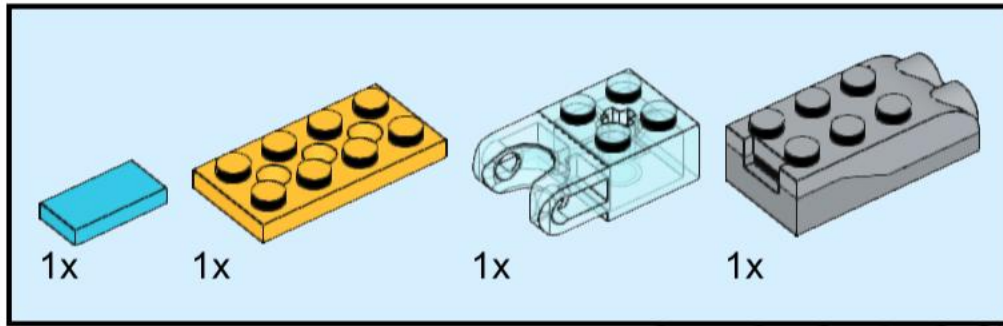
13



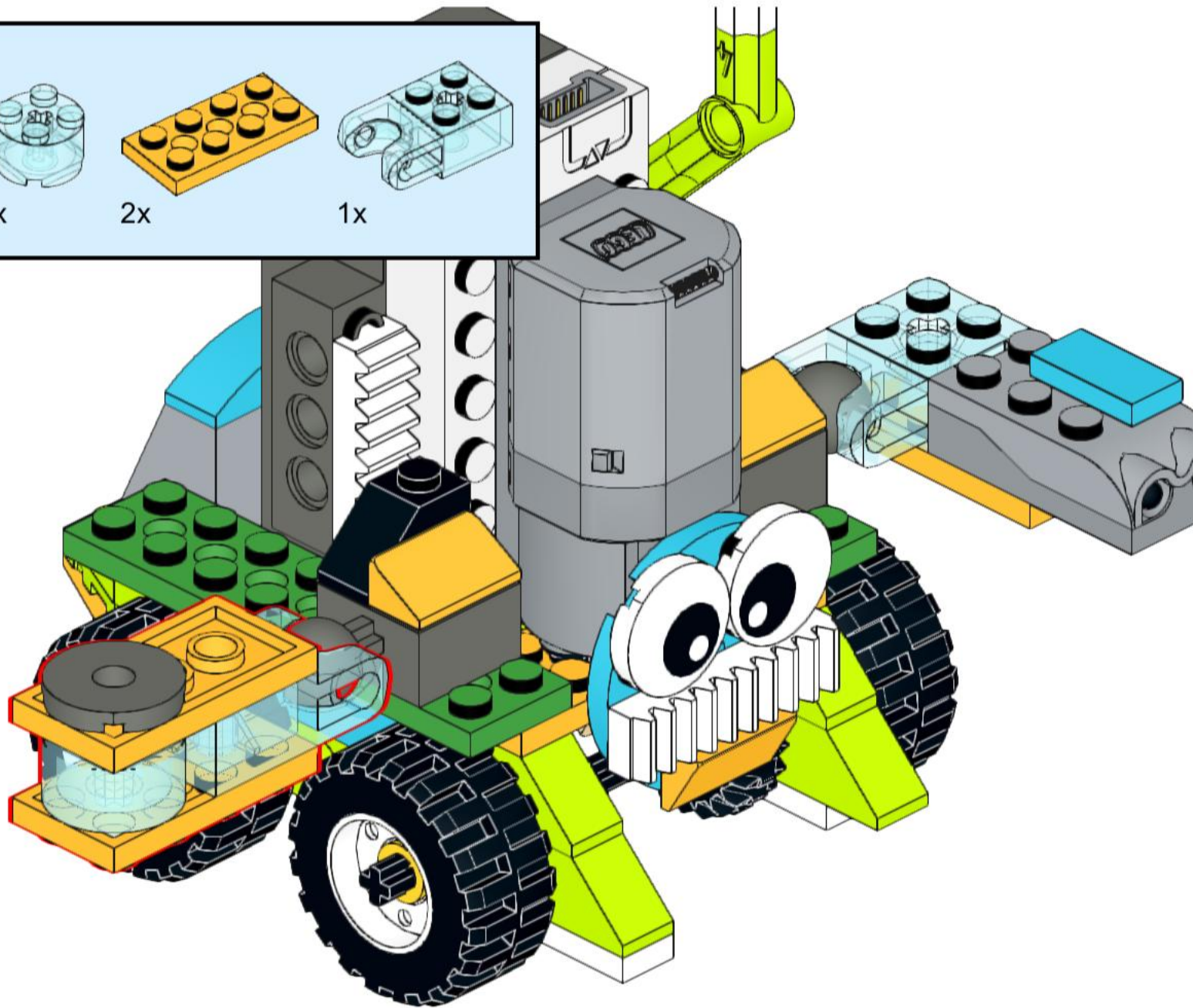
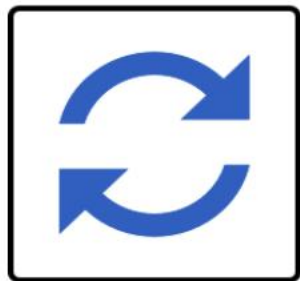
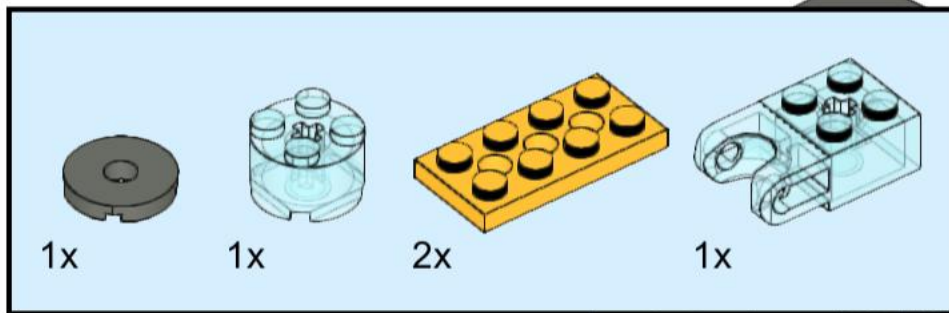
14



15



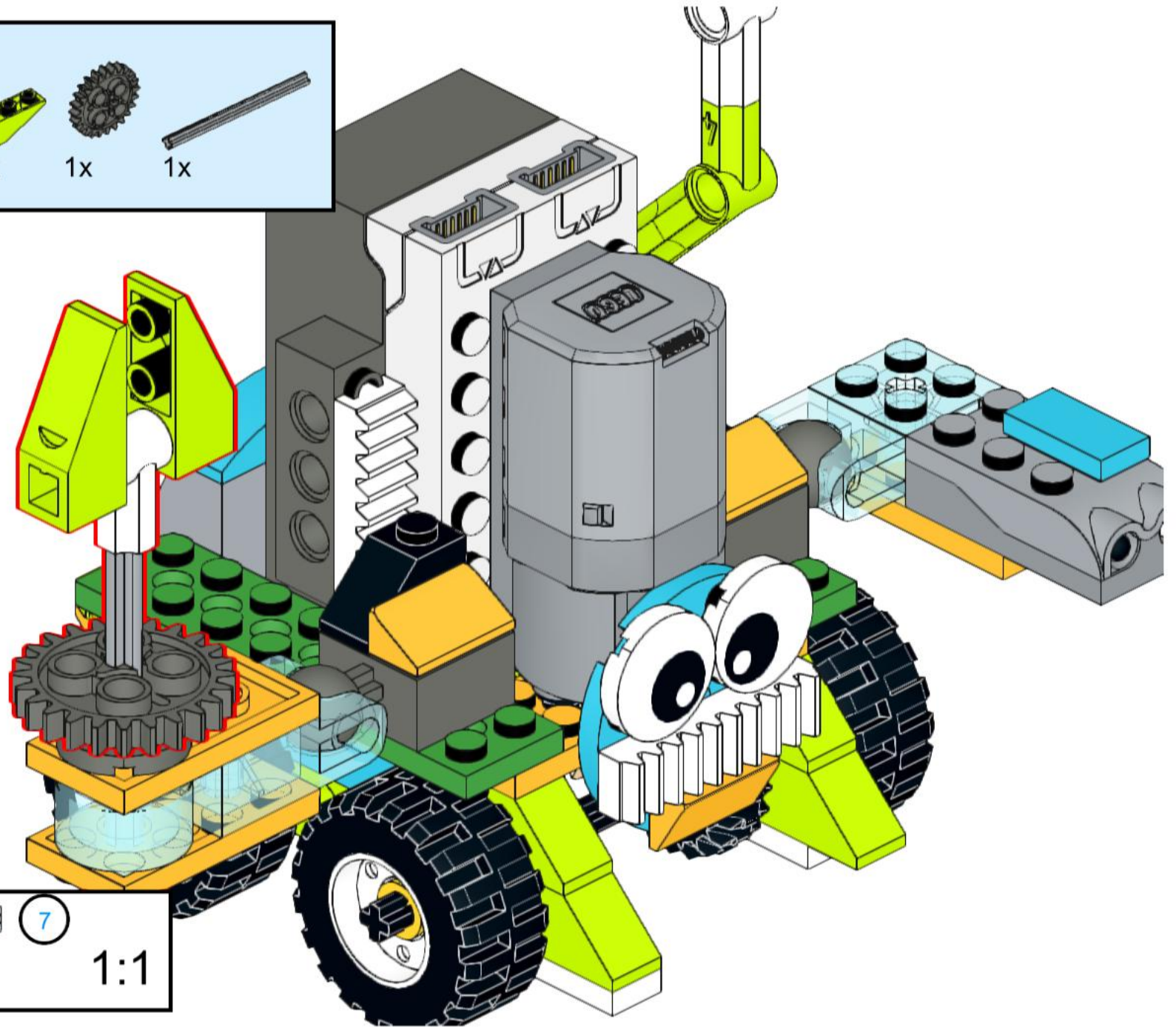
16



17

1x 1x 2x 1x 1x

This inset box lists the parts required for step 17: one yellow axle pin, one white axle pin, two yellow Technic 1x3 Technic bricks with holes, one grey 24-tooth gear, and one grey Technic axle of length 7.



7 2 1:1

This inset box provides assembly callouts for step 17. It shows a grey Technic axle of length 7 with a blue circle containing the number 7 next to it. Below it, a yellow Technic 1x3 Technic brick with holes is shown with a blue circle containing the number 2 next to it. To the right of these callouts is the ratio 1:1.



3x
2780, 11



2x
3040, 11



1x
32269, 11



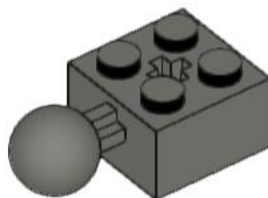
4x
92402, 11



2x
3737, 11



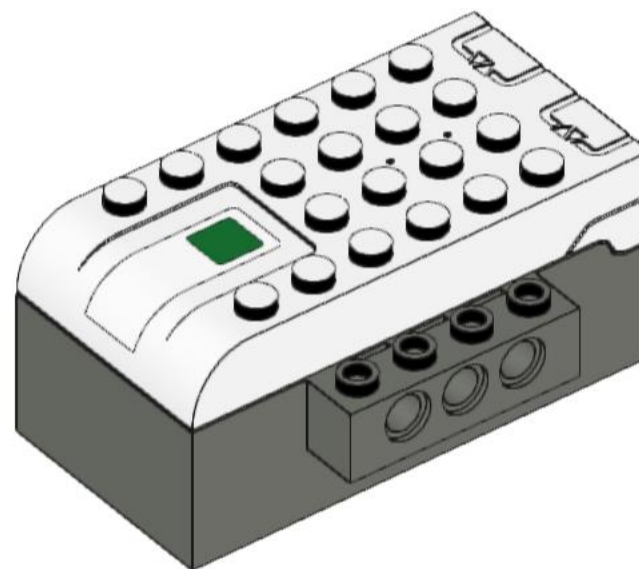
1x
15535, 85



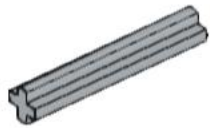
2x
57909b, 85



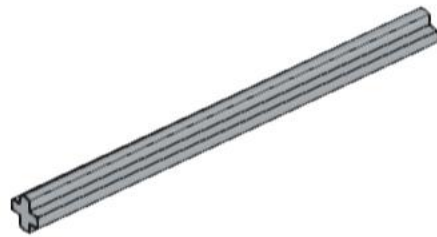
1x
3648, 85



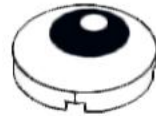
1x
19071c01, 85



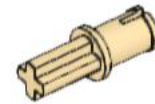
1x
4519, 86



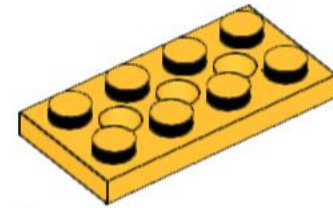
1x
44294, 86



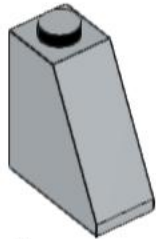
2x
14769pb004, 1



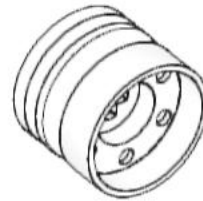
1x
3749, 2



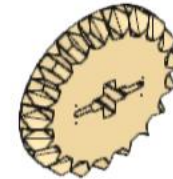
3x
3709b, 110



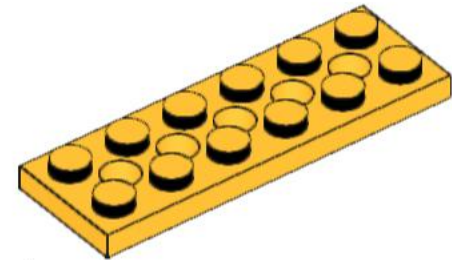
2x
60481, 86



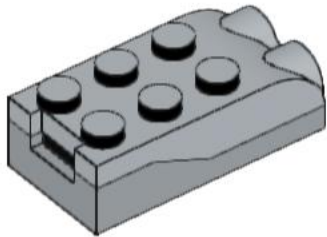
4x
55982, 1



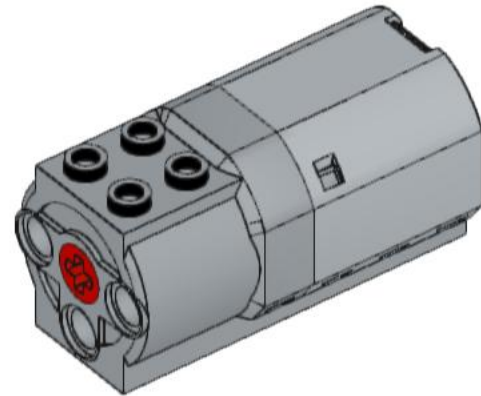
1x
32198, 2



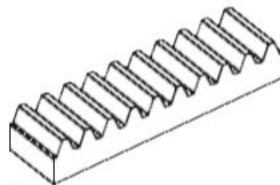
1x
32001, 110



1x
20844, 86



1x
21980, 86



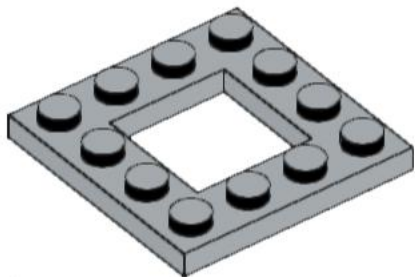
3x
3743, 1



1x
32474, 110



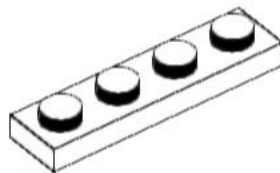
4x
4265c, 3



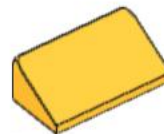
1x
64799, 86



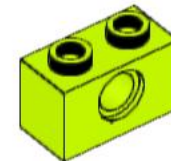
2x
32013, 1



4x
3710, 1



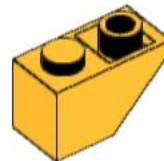
3x
85984, 110



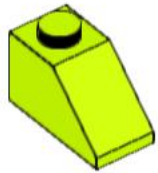
2x
3700, 34



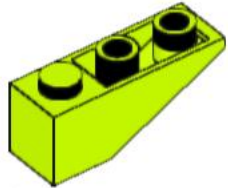
2x
32062, 5



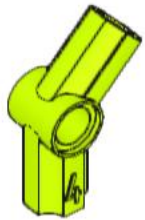
4x
3665, 110



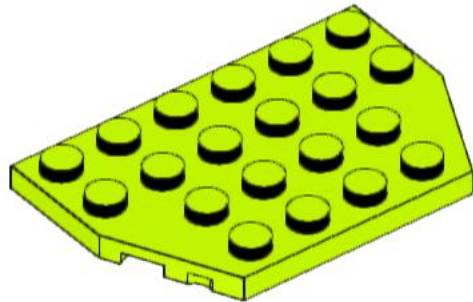
4x
3040, 34



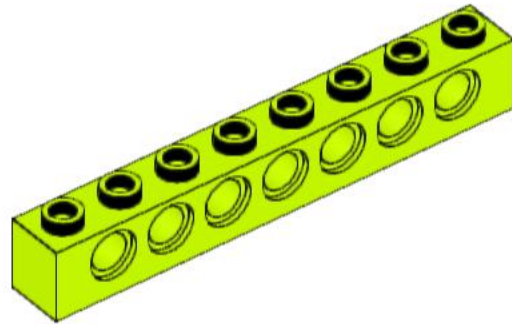
2x
4287, 34



2x
32192, 34



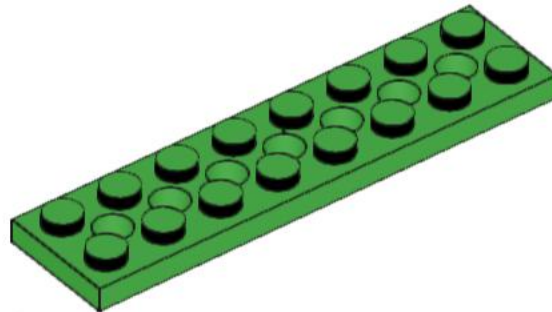
2x
32059, 34



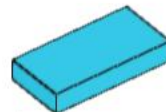
2x
3702, 34



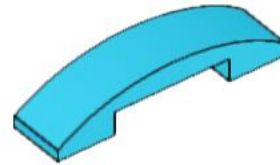
1x
62462, 36



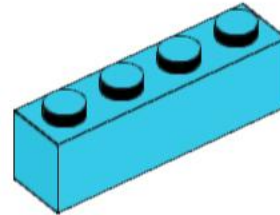
2x
3738, 36



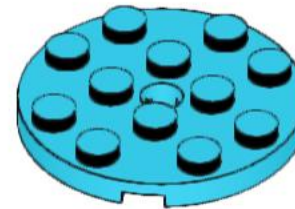
1x
3069b, 156



1x
93273, 156



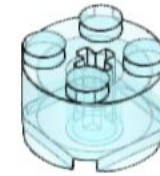
2x
3010, 156



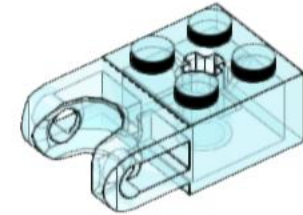
1x
60474, 156



2x
3062b, 17



1x
3941, 15



2x
92013, 15

